

# TouchPoint™ Lock Mounting Instructions

The TouchPoint™ Lock is a pushbutton access control device that permits authorized entry into cabinets, drawers or other locking enclosures. The TouchPoint Lock is easy to install on a variety of cabinets or enclosures and is intended for both indoor and outdoor applications.

The TouchPoint Lock can be ordered as a single component, or with optional mounting hardware including mounting brackets for sheet metal or thick panels, 90° or 180° stop cams, a straight cam (1-1/8" length), or offset cam (1-5/8" length, 5/16" offset). The variations depend on the type of cabinet or enclosure to which the lock is mounted.

## Tools Needed/Recommended:

- Drill
- Hole saw (For Top Mount Option)
- Router (For Flush Mount Options)
- File
- Philips screwdriver
- T15 Torx driver
- Pen or pencil

## I. Mounting Options:

The TouchPoint Lock can be oriented vertically or horizontally to permit a wide range of locking options.

The TouchPoint Lock has three mounting options: top mount, flush mount with a sheet metal bracket, and flush mount with a thick panel bracket. In the top mount option, the back face of the Lock housing is mounted on the front face of the cabinet or enclosure. In the two flush mount options, the front face of the Lock housing is aligned flush with the front face of the cabinet or enclosure, secured by a bracket inside a hole cut into the cabinet surface.

In each of these options, the lock is secured to the panel or bracket through the use of thread rolling

screws into bosses on the Lock housing. Any mounting scheme should be designed so that the mounting fasteners cannot be removed or tampered with when the Lock is mounted and the cabinet or enclosure is closed and locked.

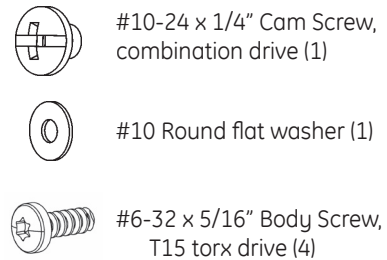
## II. Mounting Instructions

### Option A - Top Mount

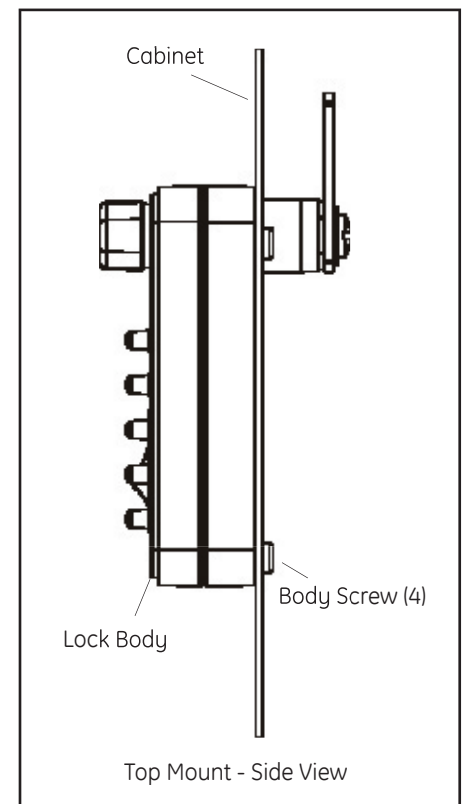
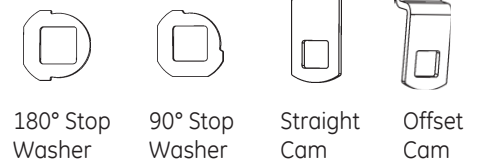
(For use on panels of 1/8" thickness or less)

1. If the cabinet has an existing lock, remove the existing lock cylinder. If the opening is too small for the protrusion on the back of the TouchPoint lock, use a file to round out the lock tail hole.
2. If the cabinet does not have an existing lock, use Template A to determine the dimensions and hole locations.
4. Position the Lock over the holes and install the four body screws through the back of the cabinet and into the Lock body. Do not exceed 15 in-lb. of torque.  
Note: The screws are designed to cut threads into the Lock body as they are installed.
6. Proceed to Cam Installation (Section III).

## Standard Hardware Provided



## Available Hardware



## Option B - Flush Mount with Bracket, Sheet Metal Cabinet

Use Option B for the following models ONLY:

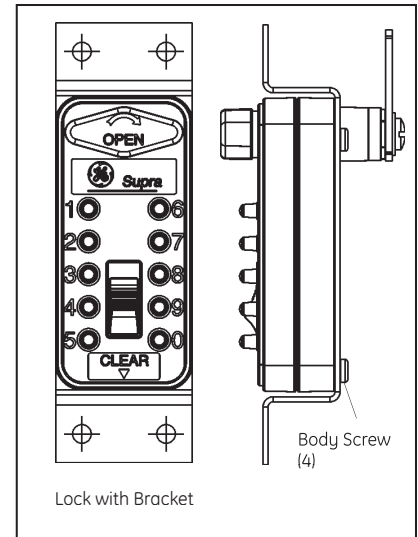
001764, 001765, 001766, 001767, 001768, 001773, 001786, 001787, 001788, 001789, 001790, 001798

Mounting the Lock using the flush mount option requires the use of a mounting bracket.

1. Use Template B to determine the dimensions and hole locations.
2. Position the Lock and mounting bracket in place and install the four #6-32 torx Body Screws through the bracket into the Lock body and tighten. Do not exceed 15 in-lb. of torque.

Note: The screws are designed to cut threads into the Lock body as they are installed.

3. Attach the mounting bracket to the panel with your choice of fasteners through the four holes at the outer corners of the bracket.
4. Proceed to Cam Installation (Section III).



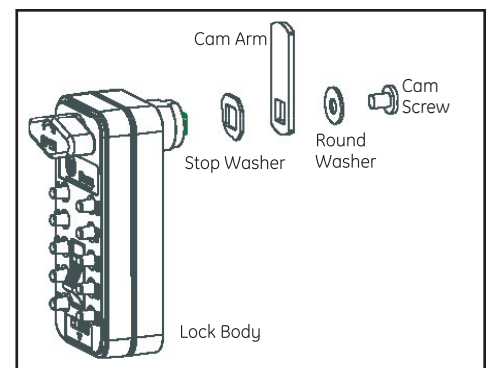
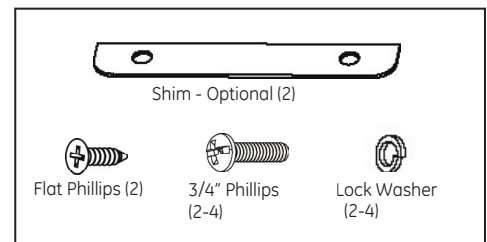
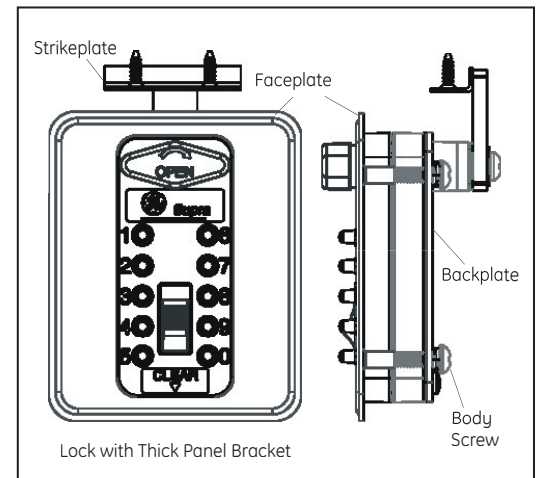
## Option C - Flush Mount with Bracket, Thick Panel

Use Option C for the following models ONLY:

001827, 001828, 001829, 001830, 001831, 001832, 001833, 001834

This mounting option is intended for panels of 3/4" ( $\pm 1/16$ ") thickness and requires the use of a thick panel bracket.

1. Use Template C to determine the dimensions and hole locations; make sure the cam outline extends 1/4" beyond the door edge.
2. Cut the hole for the Lock and four corner holes using the template as a guide.
3. Mount the backplate to the Lock using the four body screws; torque should not exceed 15 in-lbs.
4. Position the faceplate flush to the front of the cabinet, aligning the plate with the four corner holes.
5. Insert the Lock with backplate into the large hole through the back side of the cabinet. Check for any gaps between the backplate and cabinet. If a gap is present, use the shims provided to fill the space between the backplate and cabinet.
6. Attach the backplate to the faceplate by installing the four Phillips screws and lock washers into the four corner holes in the backplate and tightening.
7. To mount the strikeplate, measure 1.35" in from the cabinet face and cut a rectangular hole. Drill two 1/16" pilot holes and mount with the two flat phillips screws.
8. Proceed to Cam Installation (Section III).



## III. Cam Installation

The Lock includes a camshaft which extends from the back of the Lock body and ends in a 5/16" square protrusion, designed to mount and orient the cam arm. An optional 90° or 180° stop washer must be used between the cam arm and Lock body to limit the rotation of the cam.

The stop washer, cam arm, and round washer are secured to the Lock using the 10-24 Cam Screw.

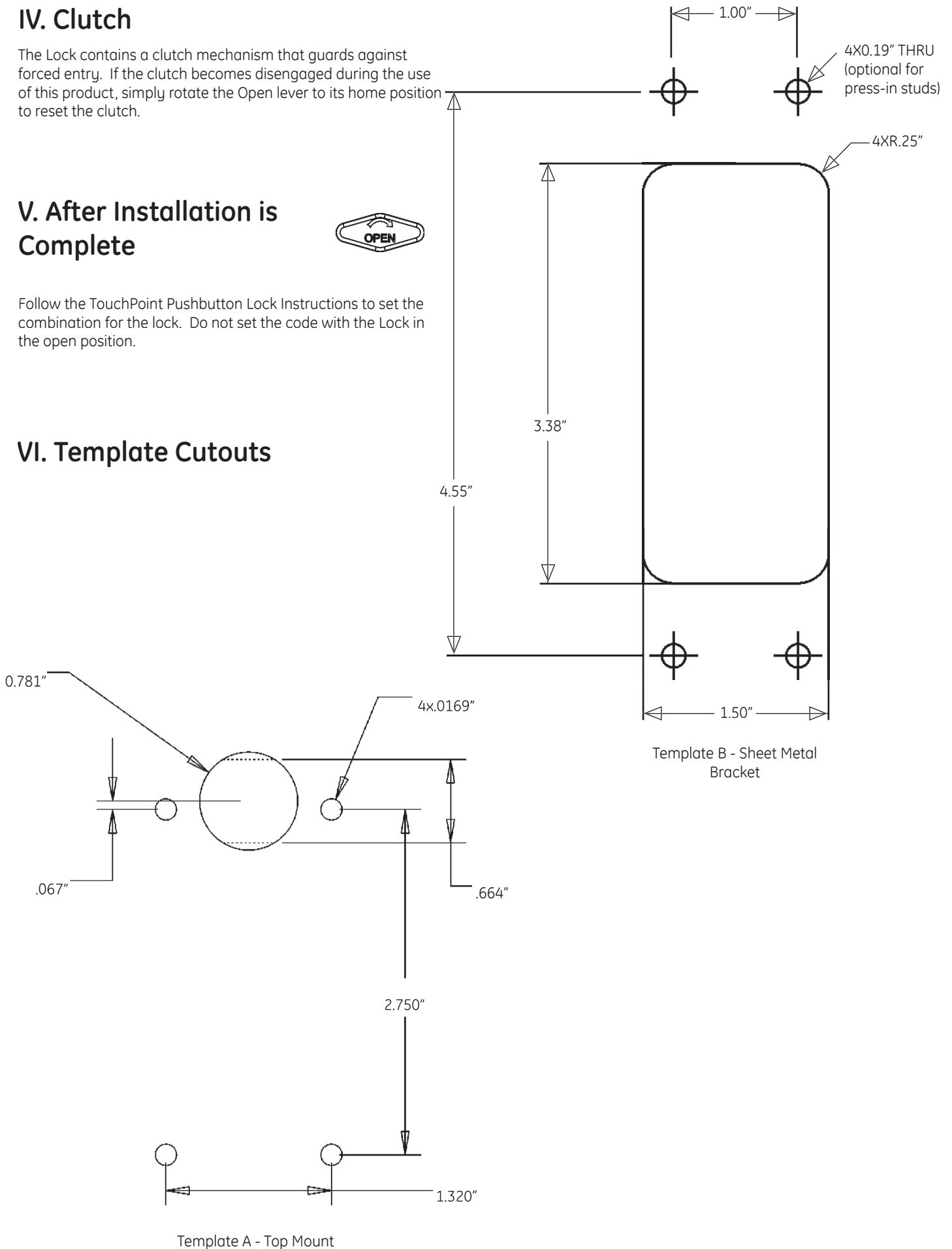
## IV. Clutch

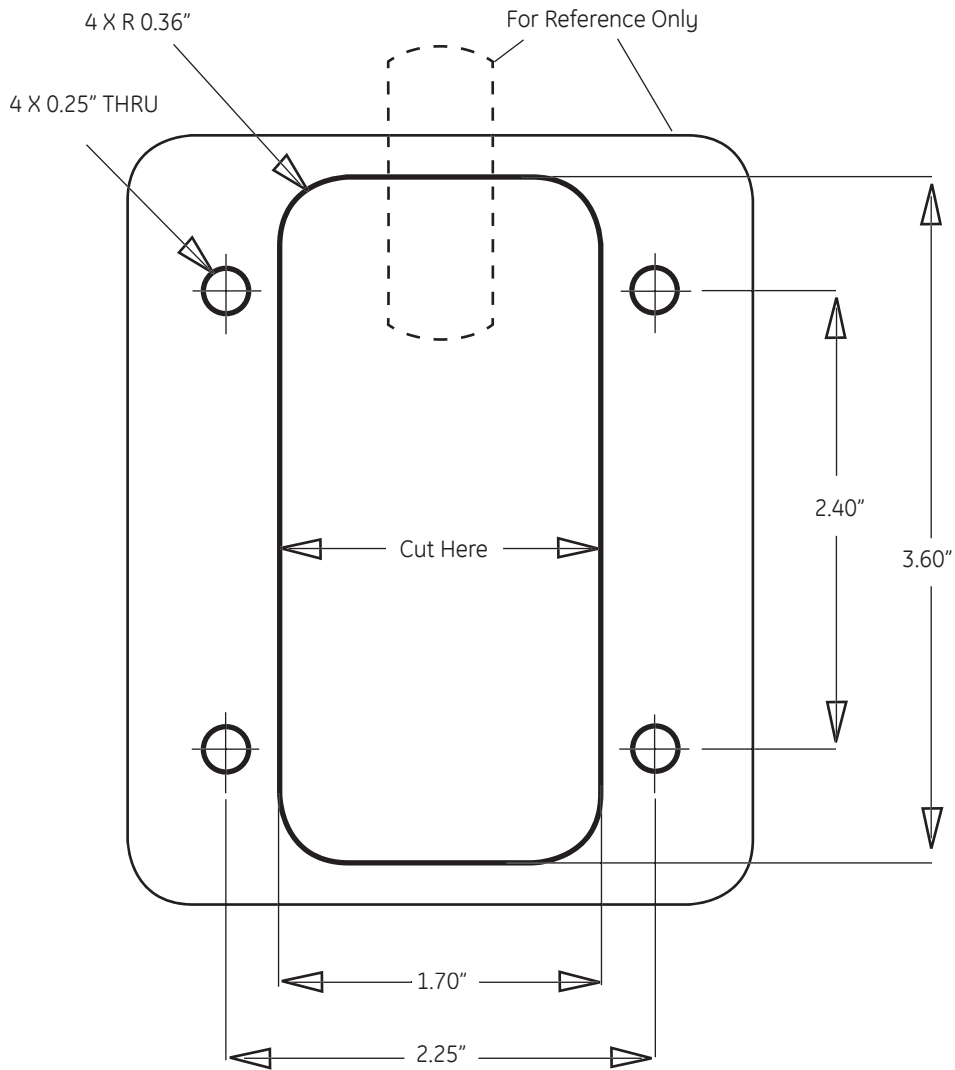
The Lock contains a clutch mechanism that guards against forced entry. If the clutch becomes disengaged during the use of this product, simply rotate the Open lever to its home position to reset the clutch.

## V. After Installation is Complete

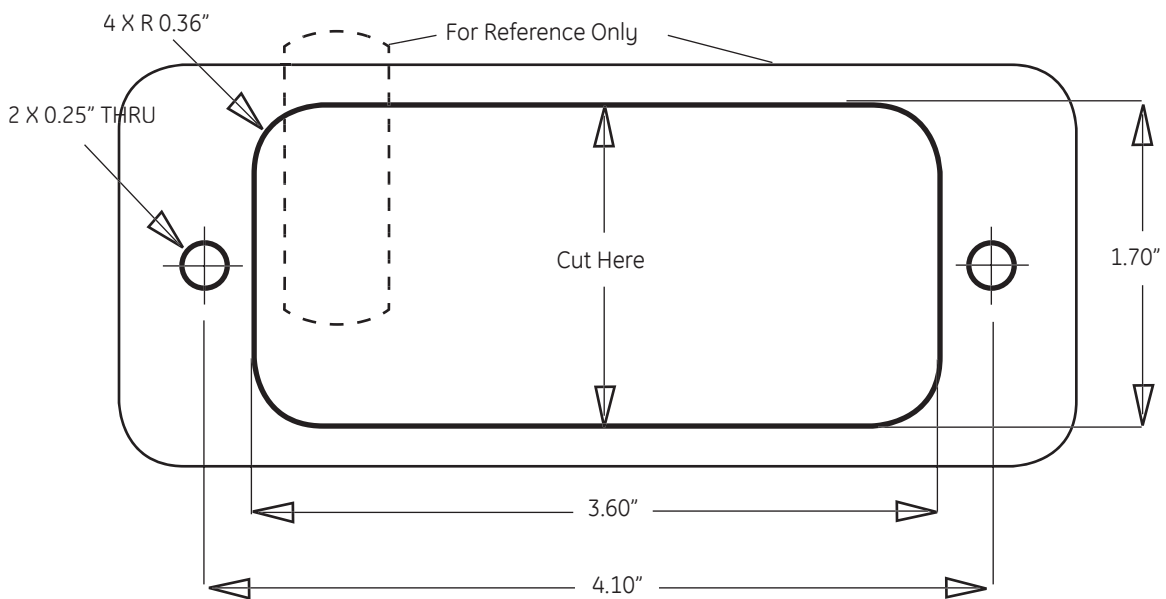
Follow the TouchPoint Pushbutton Lock Instructions to set the combination for the lock. Do not set the code with the Lock in the open position.

## VI. Template Cutouts





Template C - Thick Panel Bracket,  
Vertical Mount



Template C - Thick Panel Bracket,  
Horizontal Mount